



Plage de température: **+2°C/+10°C**

Groupe frigorifique: **Externe**

Agent frigorigène: **R448A / R449A / R452A / R407F / R404A / R507**

Nom	VARIANT 70H 1.0	VARIANT 70H 1.25	VARIANT 70H 1.6	VARIANT 70H 1.88	VARIANT 70H 2.50	VARIANT 70H 3.75
Code	VT100.700H-c	VT101.700H-c	VT102.700H-c	VT103.700H-c	VT104.700H-c	VT105.900L-c
Longueur [mm]	1000	1250	1600	1875	2500	3750
Hauteur [mm]	2150±15	2150±15	2150±15	2150±15	2150±15	2150±15
Profondeur [mm]	700	700	700	700	700	700
Capacité [dm ³]	691	864	1106	1300	1728	2592
Display area [m ²]	2,40	3,00	3,84	4,51	6,00	9,00
Surface d'exposition (TDA) [m ²]	1,69	2,11	2,71	3,20	4,25	6,38
Plage de température [°C]	(+2 ± +10°C)	(+2 ± +10°C)	(+2 ± +10°C)	(+2 ± +10°C)	(+2 ± +10°C)	(+2 ± +10°C)
Classe de température	3H1	3H1	3H1	3H1	3H1	3H1
Classe climatique	3 (25°C ; 60% RH)	3 (25°C ; 60% RH)	3 (25°C ; 60% RH)	3 (25°C ; 60% RH)	3 (25°C ; 60% RH)	3 (25°C ; 60% RH)
Classe d'efficacité énergétique	C	C	C	C	C	C
Agent frigorigène	R448A / R449A / R452A / R407F / R404A / R507	R448A / R449A / R452A / R407F / R404A / R507	R448A / R449A / R452A / R407F / R404A / R507	R448A / R449A / R452A / R407F / R404A / R507	R448A / R449A / R452A / R407F / R404A / R507	R448A / R449A / R452A / R407F / R404A / R507
Alimentation [V]	230/50Hz	230/50Hz	230/50Hz	230/50Hz	230/50Hz	230/50Hz
Rated power [W]	177	229	280	337	459	672



la classe présentée s'applique aux modules d'appareils sélectionnés. Les classes des modules individuels peuvent différer. Des informations détaillées sont données sur l'étiquette de l'appareil frigorifique.

Standard

froid ventilé

automatic off-cycle defrosting

siphoned condensate drain

electronic temperature controller with digital display

IGLOO

powder coated display area

IGLOO pattern book

rows of adjustable shelves

LED lighting

upper internal - IGLOO pattern book

energy saving EC fans

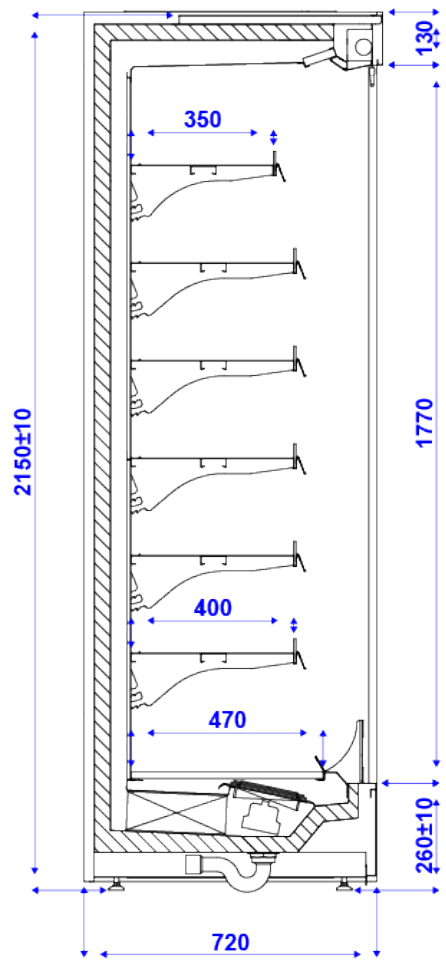
powder coated external housing

IGLOO pattern book

price stripes	IGLOO pattern book
manual night blind	not included for variants DP/DU/DR
shelf fence	
vanne d'expansion mécanique	HFC, HFO/HFC
sortie inférieure du tuyautage de refroidissement	
isolation en mousse de polyuréthane injectée	

Options

powder coated side panels - selectable colour (IGLOO pattern book)
powder coated side panels with mirror - selectable colour (IGLOO pattern book)
double combined glass side panels - selectable colour (IGLOO pattern book)
powder coated partition panel with mirrors - selectable colour (IGLOO pattern book)
fixed partition made of plexiglass
powder coated display area - custom powder - (after consultation with the IGLOO Sales Department)
INOX display area
INOX AISI304 display area
powder coated external housing - custom powder - (after consultation with the IGLOO Sales Department)
INOX external housing
INOX AISI304 external housing
additional shelf LED lighting - selectable colour (Igloo pattern book)
additional vertical LED lighting (variants DP/DU)- selectable colour (Igloo pattern book) model 1.0 / 1.25 - 2 pcs. ; 1.6 / 1.88 / 2.50 - 4 pcs. ; 3.75 - 6 pcs.
top panel illuminated with LED light - different plexiglass colors available (IGLOO pattern book)
miroir supérieur
crochets de boucherie - longues
electric night blind
évaporateur laqué
dégivrage électrique de l'évaporateur par résistances
condensate pump (up to 0,6m height)
sortie supérieure du tuyautage de refroidissement
electronic expansion valve*
cooling system adopted to factor R744 (CO2) (only with electronic expansion valve)*
*more information - IGLOO sales department



VARIANT 70H REMOTE